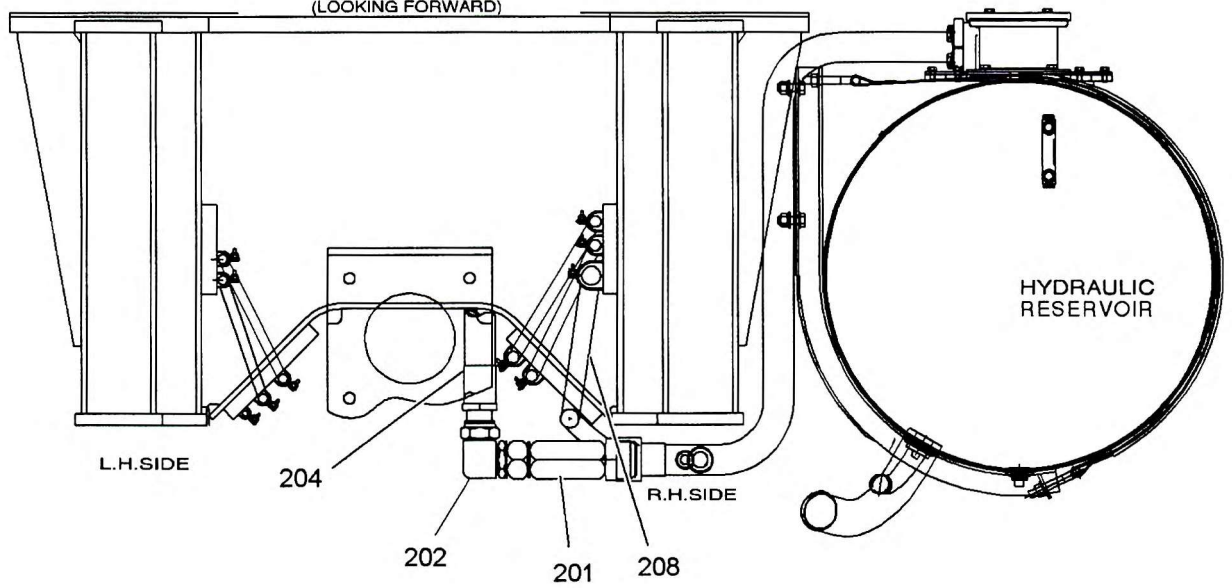
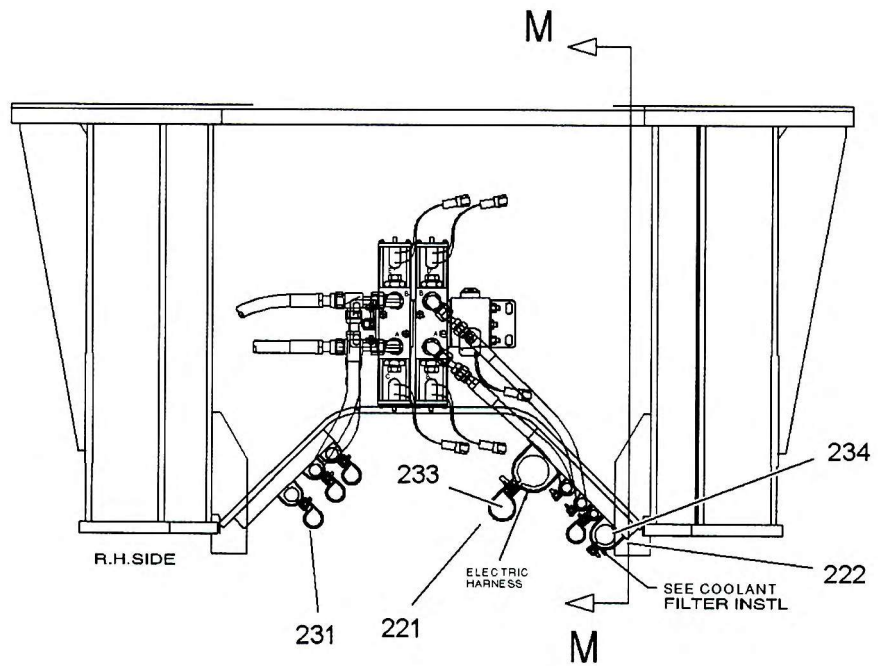
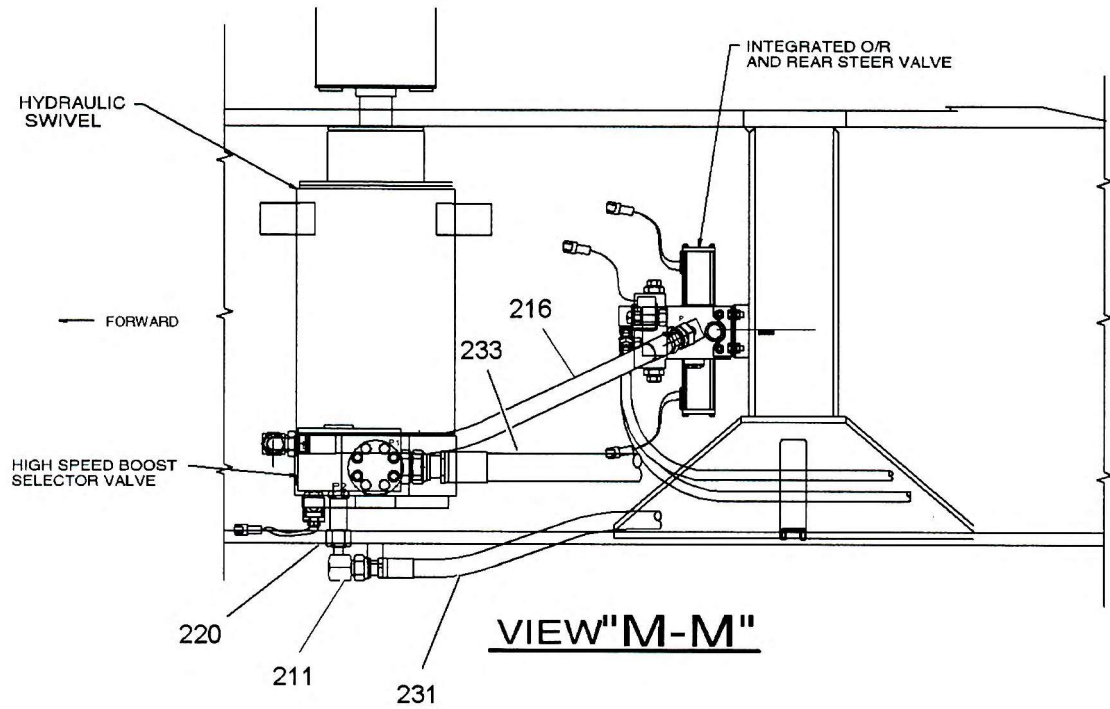


**VIEW J-J**  
(LOOKING FORWARD)



**VIEW L-L**

# Grove Worldwide



2165610120

(SHEET 3 OF 5)

Page 752

